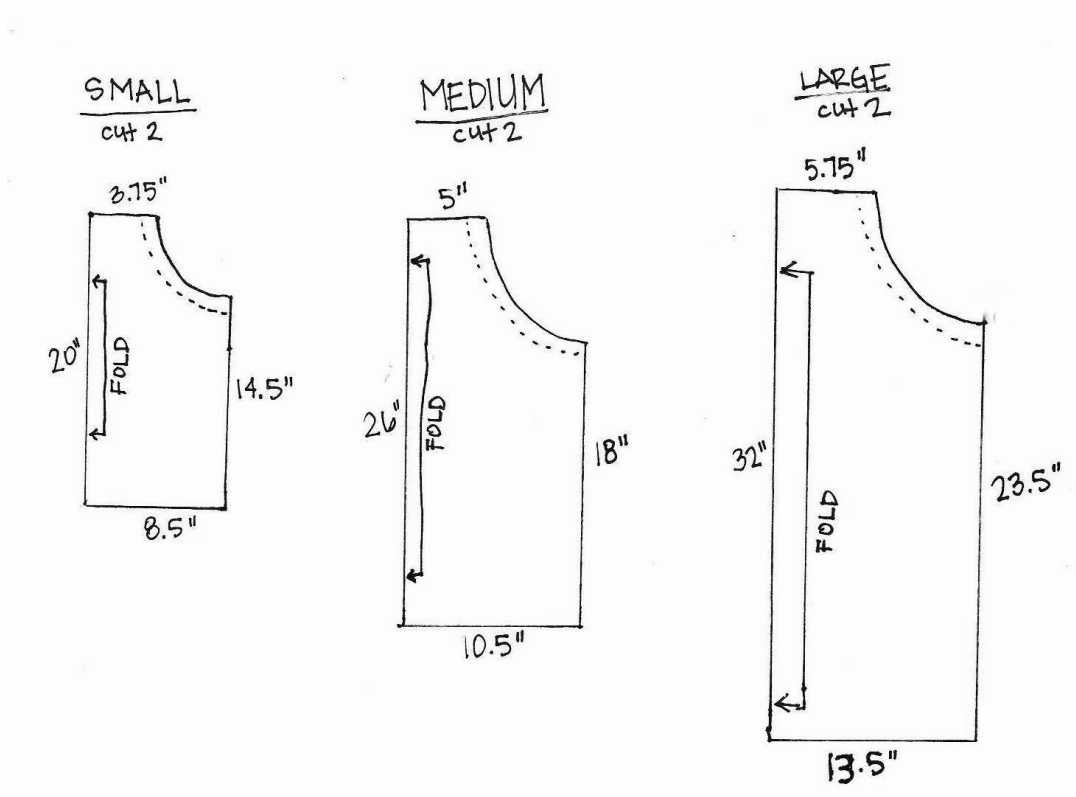


## Stars & Stripes Summer Apron





I found this easy to cut pattern from [YardsandYards.blogspot.com](http://YardsandYards.blogspot.com)

I know that some of you prefer patterns but I just free cut this apron, or if you have a favorite apron stash away dig it out and use it for a pattern.

This is pretty simple.

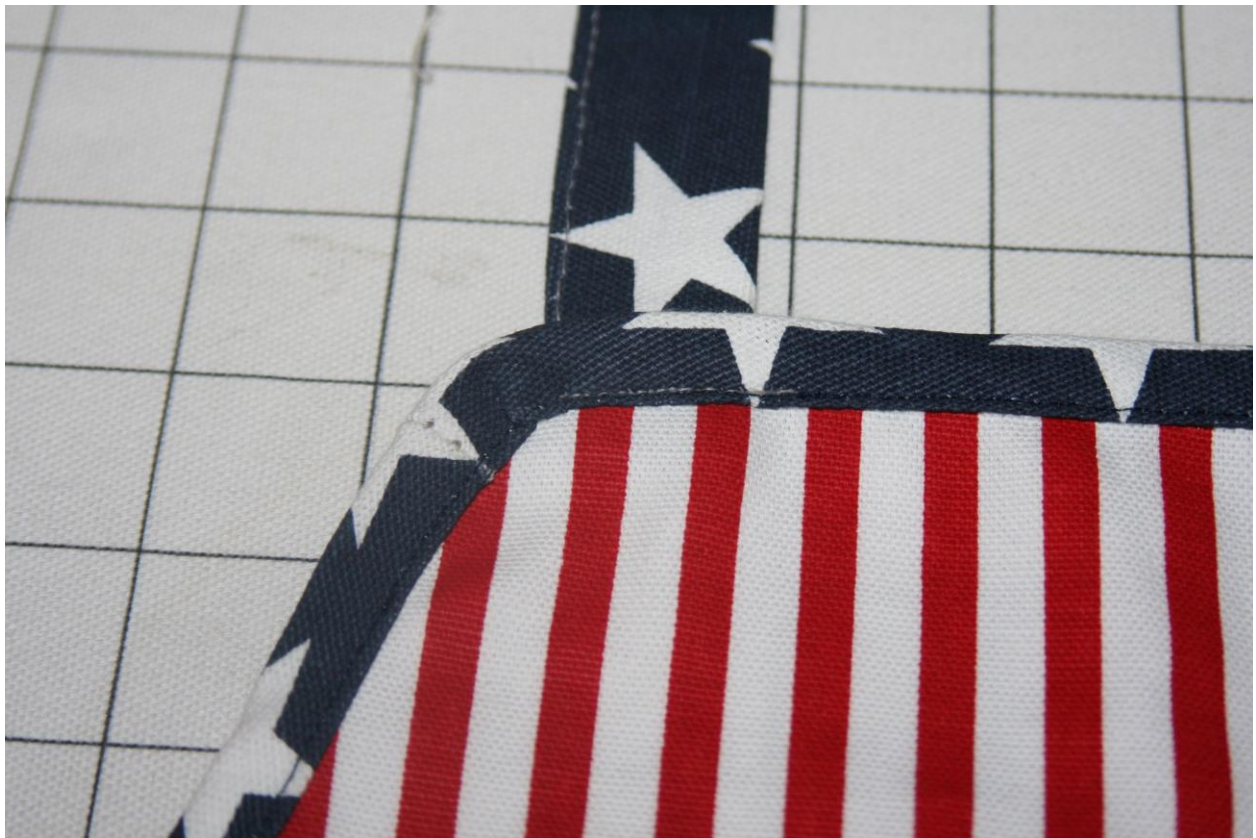
1. Cut stripe fabric for apron and hem sides and bottom with a 1/2" double fold hem.
2. Cut bias for side and top straps. Approximately 3 yards bias for side ties (1.5 yds per side) and 1 1/2 yards for apron top and ties. This depends on the size of the person you are making the apron for.

I find the 2" bias tape maker makes perfect apron bias for ties and edges.



2 A. Sew the bias tape to the top and curve sides.

2B. Attach the Ties to the top of the apron and to the sides.



3. Make pocket and attach it to front of apron, either side works but if the person is left handed there could be a preference.

